

BC-F Single point load cell, 300kgf - 600kgf

Load Cell



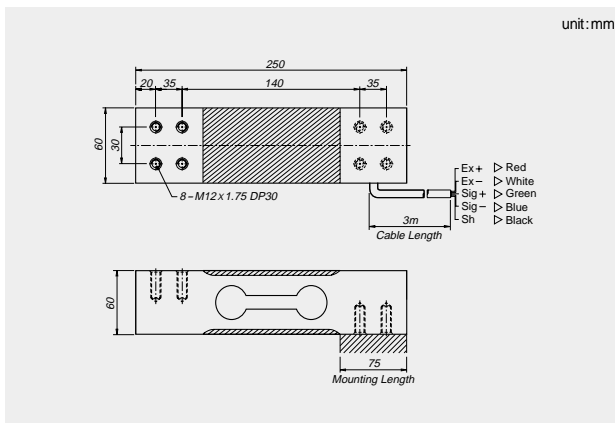
FEATURES

- Low cost
- Off center compensated
- Protection class IP65

SPECIFICATIONS

Max. capacity	kgf	300, 600
Rated output	mV/V	1.2 (Approx.)
Zero balance	mV/V	0 ±0.06
Combined error	%	0.03
Repeatability	%	0.01
Creep for 30min.	%	0.03
Temperature effect on		
Zero Value	%/10°C	0.04
Output value	%/10°C	0.015
Excitation		
Recommended	V	10
Maximum	V	15
Resistance		
Input	Ω	400 ±20
Output	Ω	350 ±3.5
Insulation	MΩ	> 2,000
Compensated temperature range	°C	-10 to +40
Operating temperature range	°C	-20 to +70

DIMENSIONS



Material

Anodized Aluminum

Mounting

Socket-head cap screw M12 × 1.75(10.9)
 Tightening torque: 100Nm

Cable

Braided Shield 4-wire round cable
 with PVC-Jacket

Maximum Platform Size

600 × 600mm (W × L)

Ordering Information

BC - XXXF

Capacity in kg

